

# AL-TAJYR PROFILE



we craft connections that last a lifetime

# About us

Al-TAJYR is your premier B2B partner in the heart of the Middle East, dedicated to revolutionizing supply and transportation solutions for our esteemed clients. At Al-TAJYR, we specialize in providing a seamless and efficient procurement experience of more than 25 years that caters specifically to the needs of businesses, saving you the hassle of shipping and optimizing both time and cost savings.

" At Al-tajyr, we craft connections that last a lifetime."



# Our History

We export to



+20 Client



+200 Order



Fastest Delivery Time

# Our Mission

To simplify procurement, accelerate delivery,  
and provide superior service.

# Our Vision

To make every client's journey easy, safe  
and profiting.

# 1 Kitchen Accessories & Solutions

## 1 Wall Cabinets



## 2 Corner



## 3 Baskets



## 2 Cabinet Hinge

### Cabinet Hinge



### 3 Drawers Slide



Normal slides



Soft close slide

### 4 Other Accessories



Plastic Accessories



Solutions to  
everyday Use



Extend the life  
of your Cabinets  
and Drawers



Provide Peace  
and Quiet

## Kitchen Accessories & Solutions



# Wall Cabinets

Hs Code: 7323930000

# Kitchen Accessories & Solutions



# Kitchen Cabinet Storage

Wired Pull Down Elevator

## Material

Chrome Plated Steel

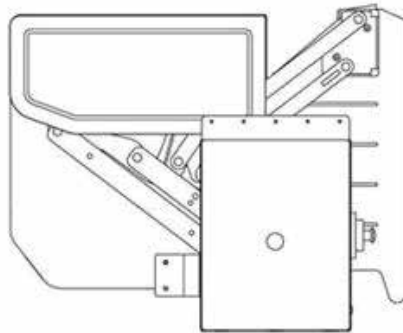
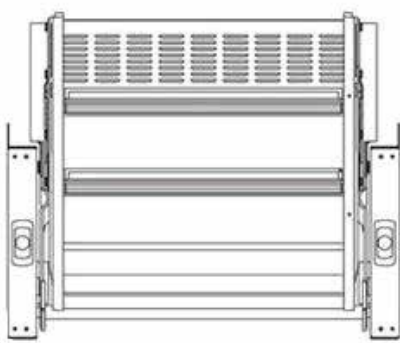
**Code:** AC-SE

**Color:** Silver Grey + Chrome

**No. of item in one box:** 1 item







Sizes  
Available  
in

Code	Product Size	Dimensions
AC-1070	600 mm	300 x 565 x 590 mm
AC-1071	700 mm	300 x 665 x 590 mm
AC-1072	800 mm	300 x 765 x 590 mm
AC-1073	900 mm	300 x 865 x 590 mm



# Dish Rack with drainer 2 layers

## Material

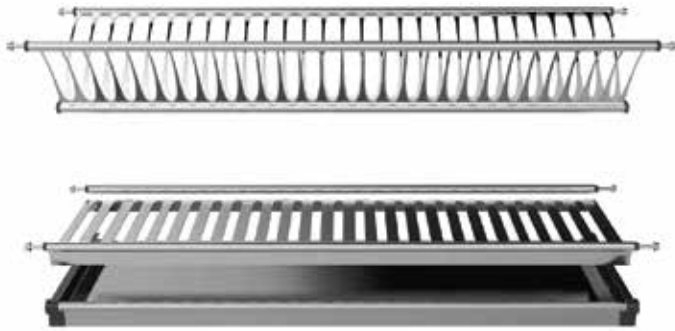
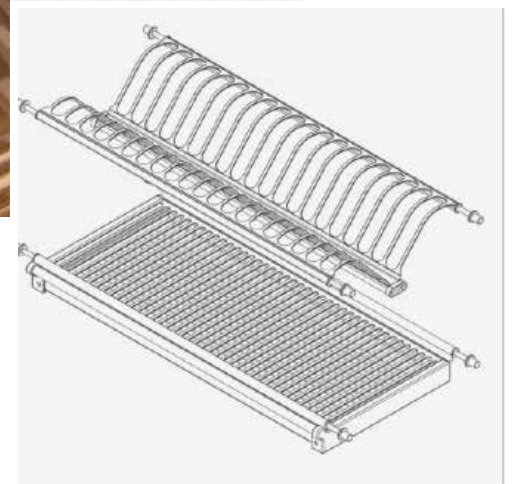
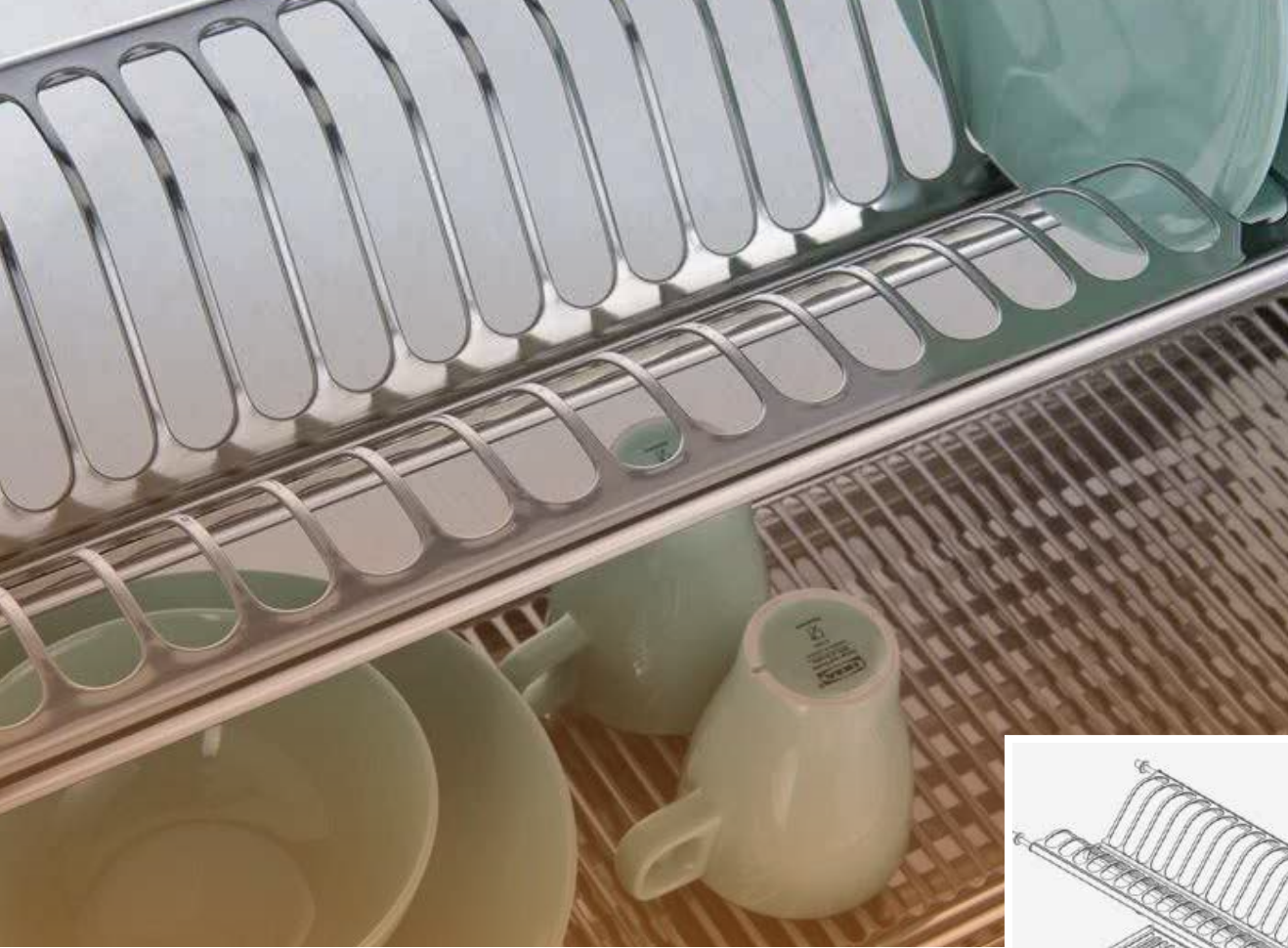
Chrome Plated Steel

**Code:** AC-DR

**Color:** chrome

**No. of item in one box:** 5 item





Sizes  
**Available**  
in

Code	Product Size	Dimensions
AC-1001	600 mm	D280XW565xH65 mm
AC-1002	700 mm	D280XW665xH65 mm
AC-1003	800 mm	D280XW765xH65 mm
AC-1004	900 mm	D280XW865xH65 mm
AC-1005	1000 mm	D280XW965xH65 mm



# Cabinet Dish Holder

with Drainer Pull Down Elevator

## Material

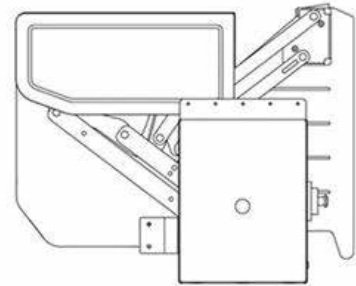
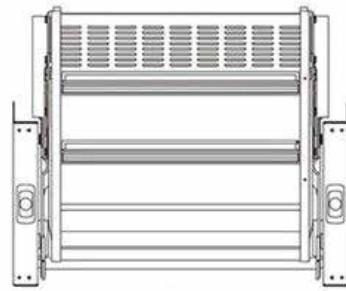
Chrome Plated Steel

**Code:** AC-DE

**Color:** Silver Grey + Chrome

**No. of item in one box:** 1 item





Sizes  
**Available**  
in

Code	Product Size	Dimensions
AC-1060	600 mm	D300xW565xH590 mm
AC-1061	700 mm	D300xW665xH590 mm
AC-1062	800 mm	D300xW765xH590 mm
AC-1063	900 mm	D300xW865xH590 mm



# Tall Corner Pull out

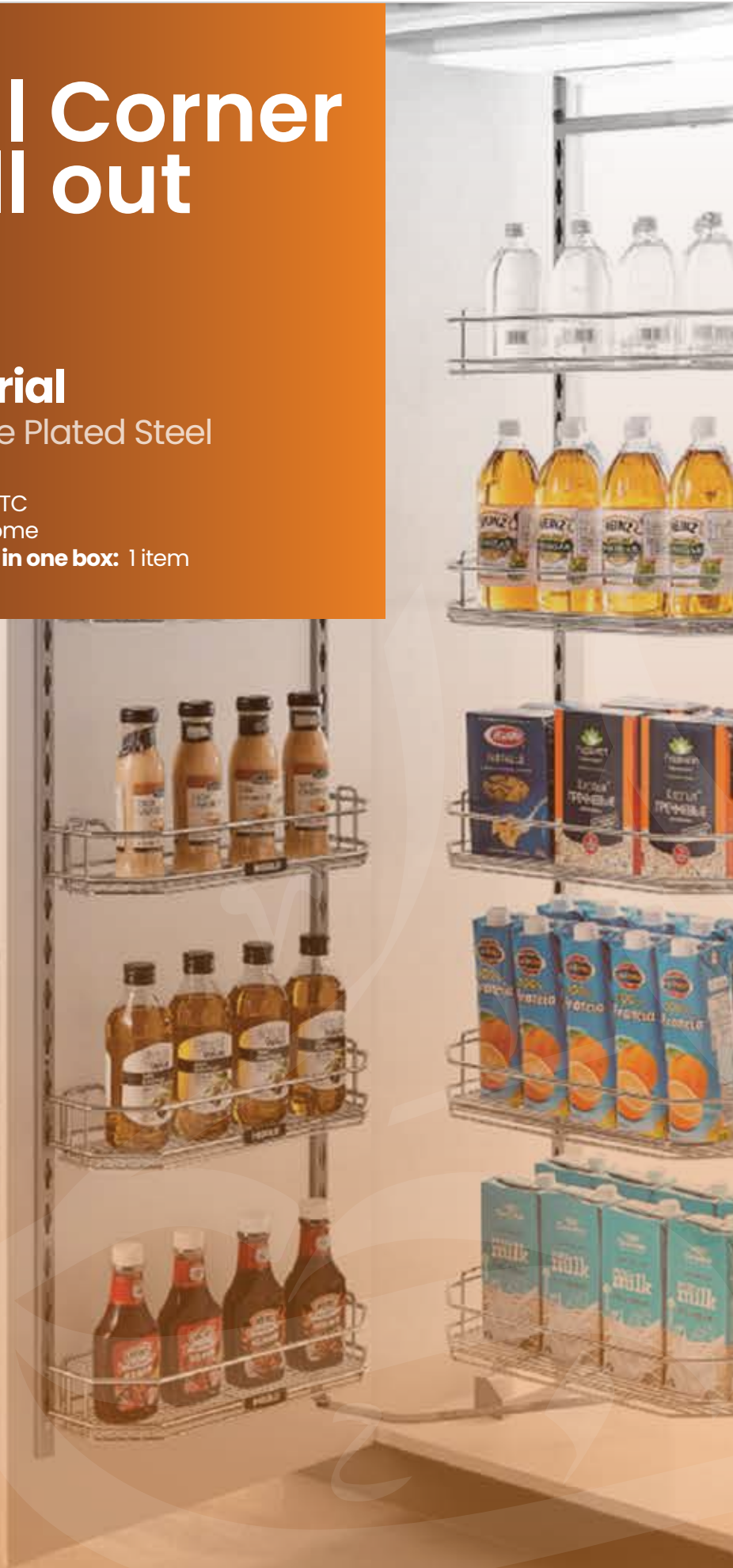
## Material

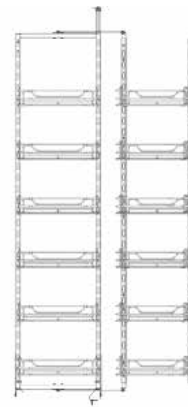
Chrome Plated Steel

**Code:** AC-TC

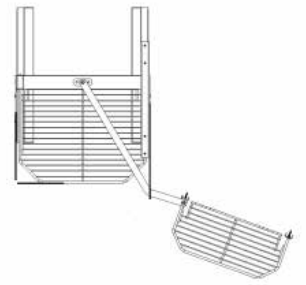
**Color:** Chrome

**No. of item in one box:** 1 item





(Front View)



(Top View)

Sizes  
Available  
in

Code	Product Size	Dimensions	Inside of Cabinet
AC-1050	500 mm	530x385xH(1300-1600)	4 Layer
AC-1051	500 mm	530x385xH(1600-1900)	5 Layer
AC-1052	500 mm	530x385xH(1900-2100)	6 Layer



Kitchen Accessories & Solutions



Corner



# Kitchen Accessories & Solutions



# Magic Corner Basket

Wired Soft Close

## Material

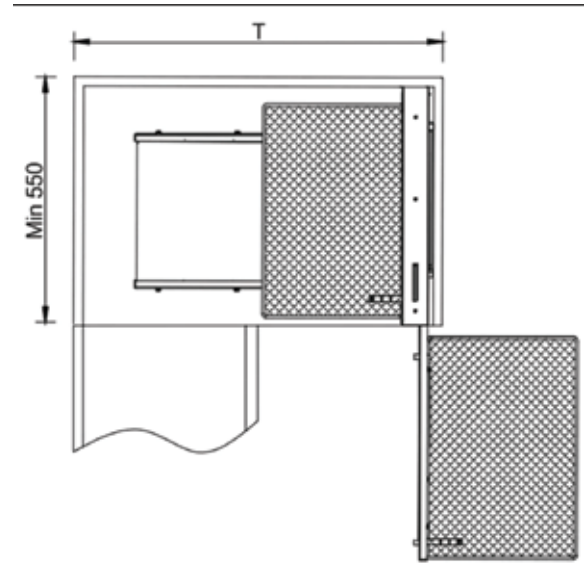
Chrome Plated Steel

**Code:** AC-MC

**Color:** Color: Chrome

**No. of item in one box:** 1 item





Sizes  
Available  
in

Code	Product Size	Dimensions
AC-10100	800 mm	D480xW640xH560 mm



# Magic Corner Basket

Tempered Glass Soft Close

## Material

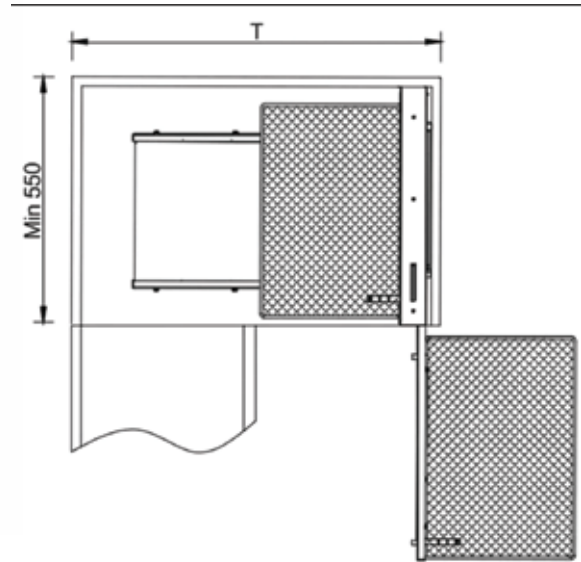
Material: Steel + Tempered Glass + ABS

**Code:** AC-MT

**Color:** Grey

**No. of item in one box:** 1 item





Sizes  
Available  
in

Code	Product Size	Dimensions
AC-10110	900 mm	D470xW700xH630 mm



# Magic Corner Basket

Wired Soft Close – R+L

## Material

Steel with chrome plated

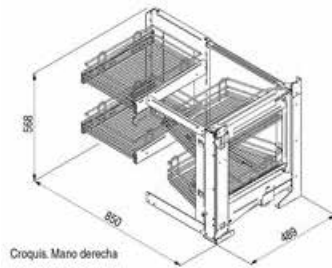
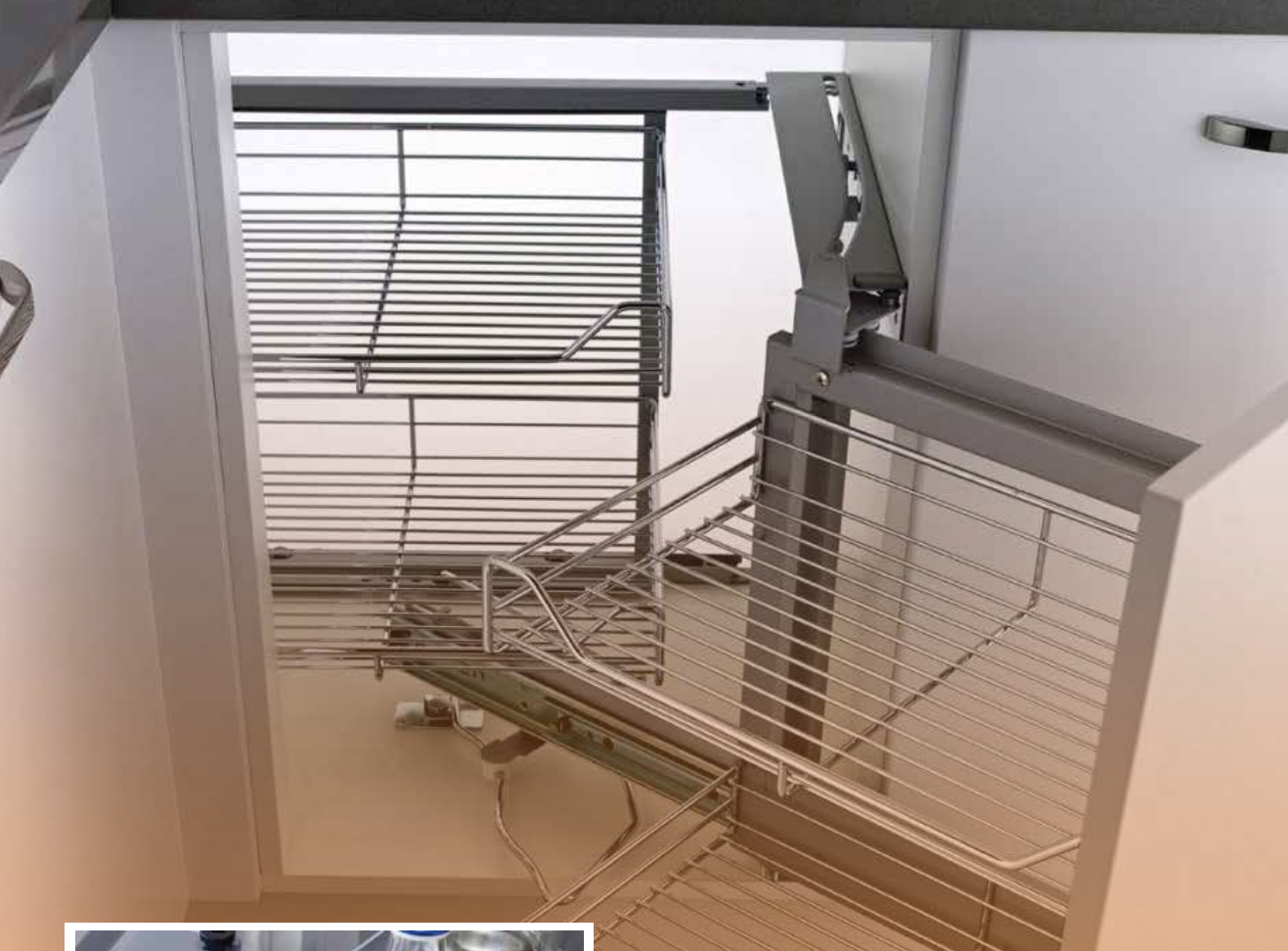
**Code:** AC-MC/R+L

**Color:** chrome

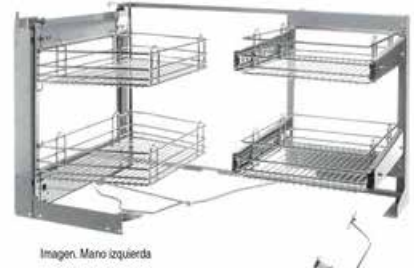
**No. of item in one box:** 1 item

**Opening Directions:** R+L

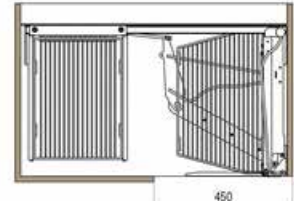
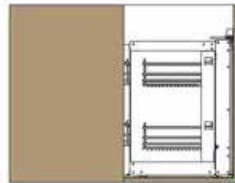




Croquis, Mano derecha



Imagen, Mano izquierda



Sizes  
Available  
in

Code	Product Size	Dimensions
AC-1080	900 mm	D964xW864xH510 mm



# Magic Corner Basket

PVC Soft Close – R+L

## Material

Steel + PVC

**Code:** AC-MW/R+L

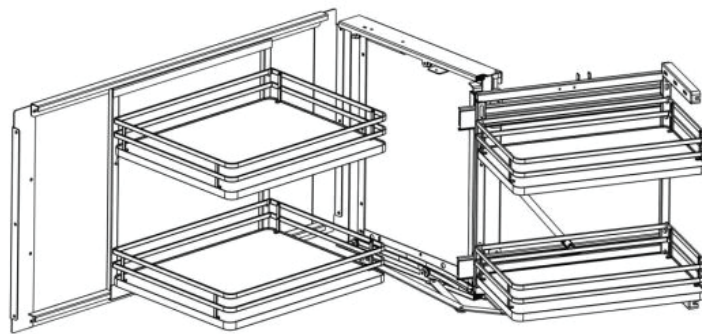
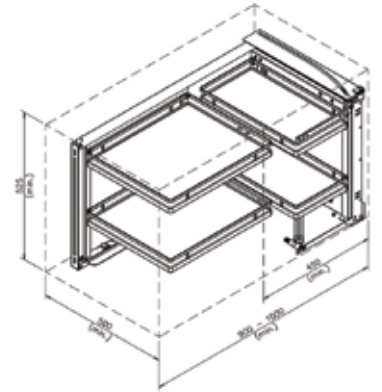
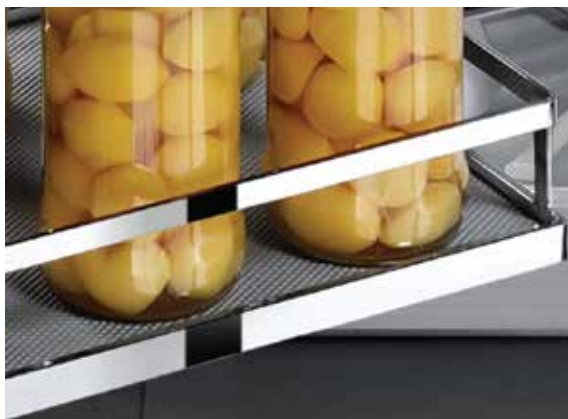
**Color:** Grey

**No. of item in one box:** 1 item

**Opening Directions:** R+L







Sizes  
Available  
in

Code	Product Size	Dimensions
AC-1090	900 mm	D964xW864xH510 mm



Kitchen Accessories & Solutions



Baskets

# Kitchen Accessories & Solutions



# Revolving Basket 180°

## Material

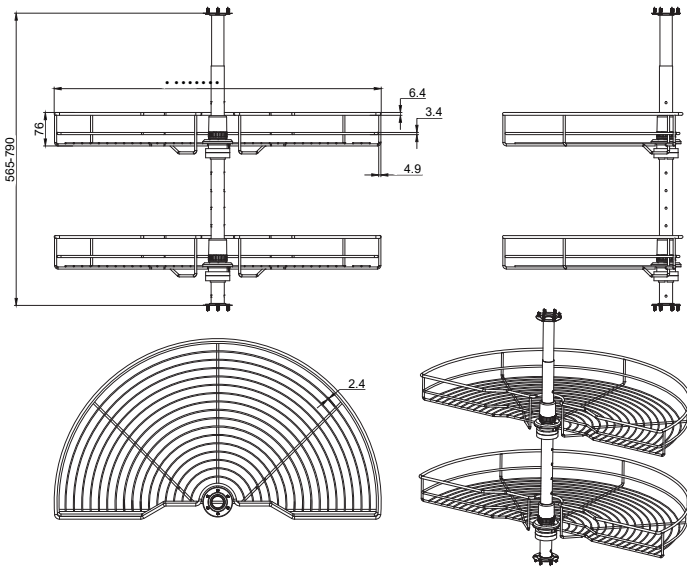
Chrome Plated Steel

**Code:** AC-RB/180

**Color:** Chrome

**No. of item in one box:** 1 item





Sizes  
Available  
in

Code	Product Size	Dimensions
AC-1010	700 mm	610 x H(565 - 790) mm
AC-1011	800 mm	710 x H(565 - 790) mm
AC-1012	900 mm	810 x H(565 - 790) mm



# Revolving Basket 270°

## Material

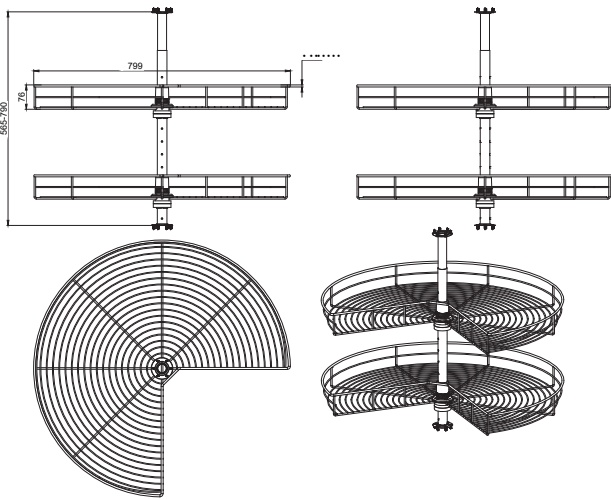
Chrome Plated Steel

**Code:** AC-RB/270

**Color:** Chrome

**No. of item in one box:** 1 item





Sizes  
Available  
in

Code	Product Size	Dimensions
AC-1020	700 mm	610 x H(565 – 790) mm
AC-1021	800 mm	710 x H(565 – 790) mm
AC-1022	900 mm	810 x H(565 – 790) mm



# Revolving Basket 360°

## Material

Chrome Plated Steel

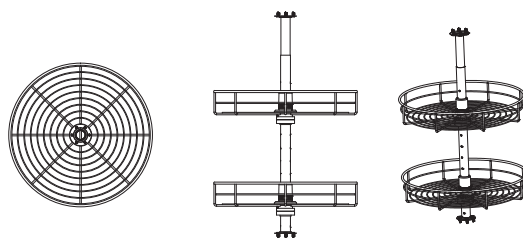
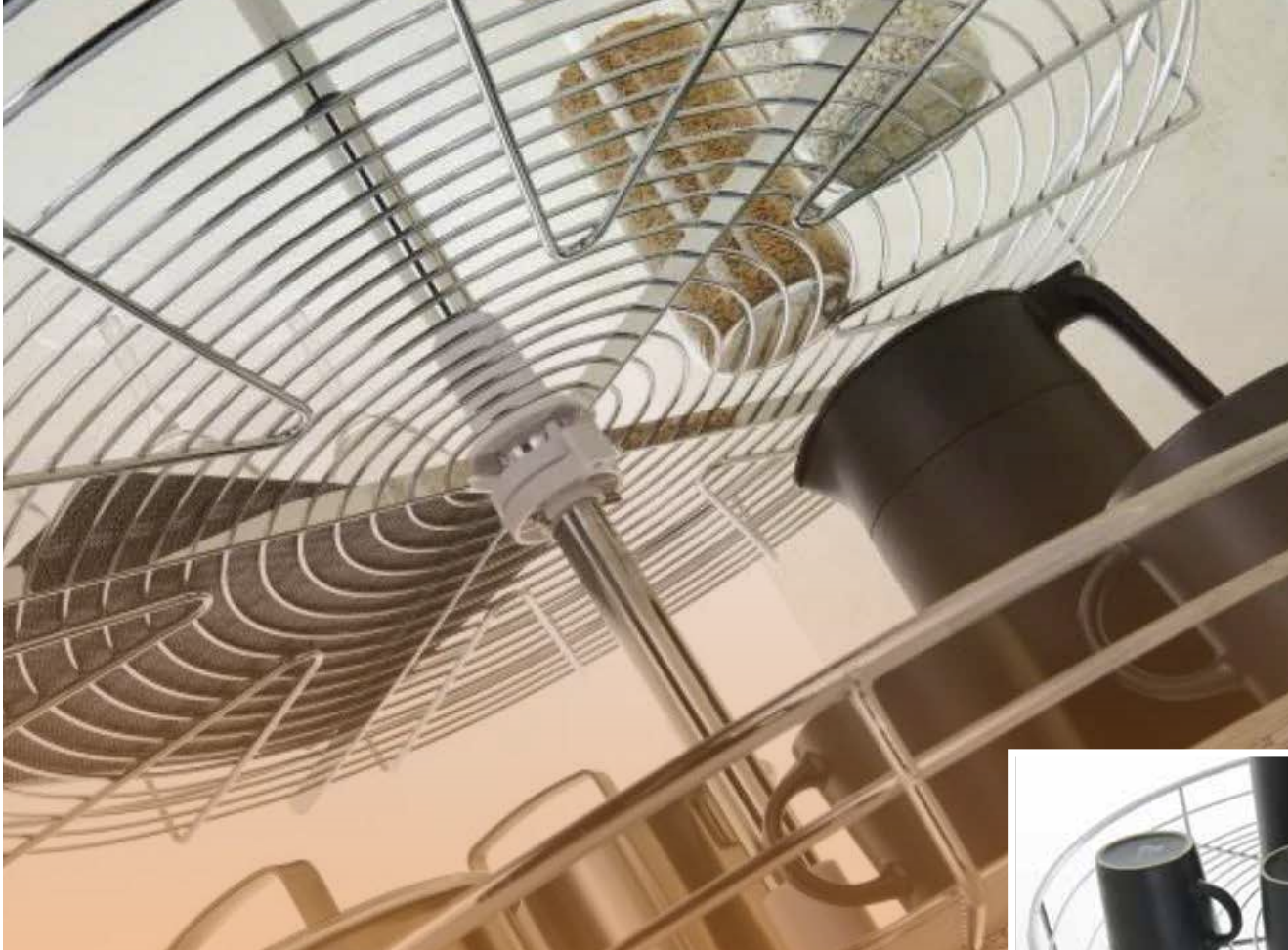
**Code:** AC-RB/360

**Color:** Chrome

**No. of item in one box:** 1 item







Sizes  
**Available**  
in

Code	Product Size	Dimensions
AC-1030	700 mm	610 x H(565 – 790)
AC-1032	800 mm	mm
AC-1033	900 mm	710 x H(565 – 790)



# Drawing Basket

With Wooden Knife Holder

## Material

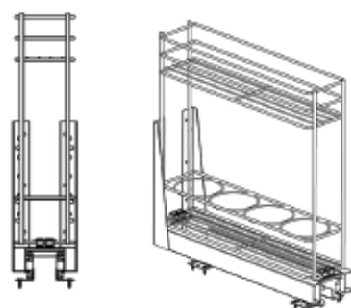
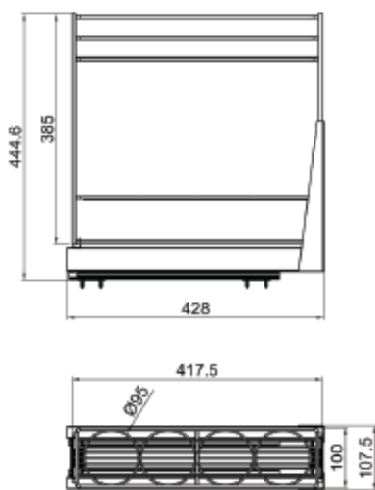
Chrome Plated Steel

**Code:** AC-DB

**Color:** Silver Grey + Chrome

**No. of item in one box:** 1 item





Sizes  
Available  
in

Code	Product Size	Dimensions
AC-1040	150 mm	D440xW110xH440 mm
AC-1041	200 mm	D440xW150xH440 mm
AC-1042	250 mm	D440xW200xH440 mm
AC-1043	300 mm	D440xW250xH440 mm
AC-1044	350 mm	D440xW300xH440 mm
AC-1045	400 mm	D440xW350xH440 mm





# Cabinet Hinge

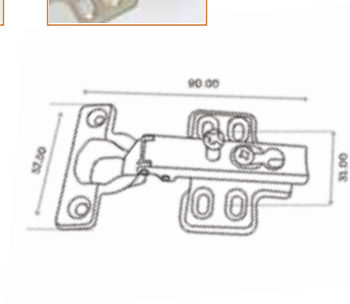
HS-Code 8302100010



## H26 Cabinet Door 4 Hole



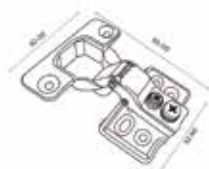
**Material:** Normal Steel  
**Cup Diameter:** H 26  
**No. of Holes:** 4  
**Angel Opening:** °98  
**Finish:** Chrome Plated  
**Weight:** 40 gm  
**Item Code:** HG3020-



## H35 2D Cabinet Door 4 Hole



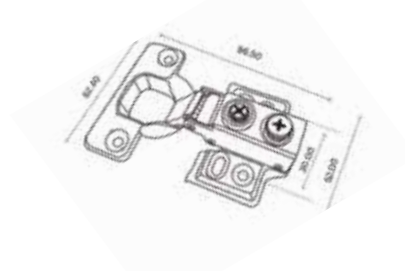
**Material:** Stainless Steel  
**Cup Diameter:** H 35  
**No. of Holes:** 4  
**Angel Opening:** °98  
**Finish:** Chrome Plated  
**Weight:** 50 gm  
**Item Code:** HG3040-



## H35 2D Cabinet Door 4 Hole Soft Close



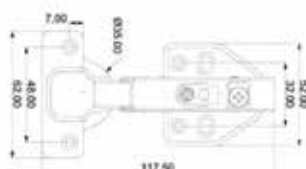
**Material:** Stainless Steel  
**Cup Diameter:** H 35  
**No. of Holes:** 4  
**Angel Opening:** °98  
**Finish:** Chrome Plated  
**Weight:** 75 gm  
**Item Code:** HG3030-



## H35 3D for Wood Cabinet Door 4 Hole Tall body



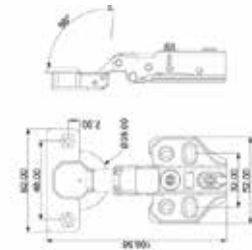
**Material:** Stainless Steel  
**Cup Diameter:** H 35  
**No. of Holes:** 4  
**Angel Opening:** °98  
**Finish:** Chrome Plated  
**Weight:** 115 gm  
**Item Code:** HG3070-



## H35 Cabinet Door 4 Hole Tall body without cover Soft Close



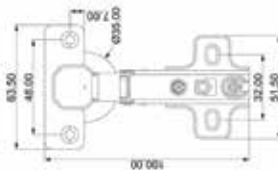
**Material:** Stainless Steel  
**Cup Diameter:** H 35  
**No. of Holes:** 4  
**Angel Opening:** °98  
**Finish:** Chrome Plated  
**Weight:** 92 gm  
**Item Code:** HG3010-



## °135 Cold Rolled Steel



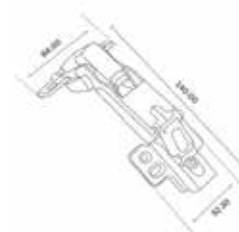
**Material:** Cold Rolled Steel  
**Angel Opening:** °135  
**Finish:** Chrome Plated  
**Weight:** 76.5gm  
**Item Code:** HG3060-



## °165 Hydraulic Soft Close



**Cup Diameter:** H 35  
**Material:** Cold Rolled Steel  
**Angel Opening:** °165  
**Finish:** Chrome Plated  
**Weight:** 155 gm  
**Item Code:** HG3050-



## Packages Information

ITEM	CARTOON SIZE				
	Length	Width	Height	Weight	items/box
HG3060-	490	290	200	16.0	200
HG3050-	490	290	200	12.2	100
HG3020-	390	290	180	11.5	300
HG3070-	500	320	0.19	23.6	200
HG3010-	500	320	0.19	20.7	200
HG3030-	370	260	0.24	15.2	200
HG3040-	370	260	240	13.0	250

\*Dimensions are represented in mm

\*Weight is represented in kg





# Drawers Slide

HS-Code 8302420000

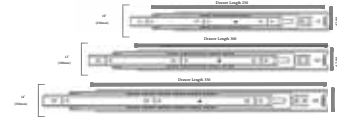




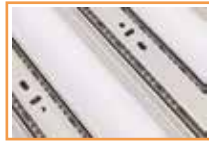
# Black Drawer Slide



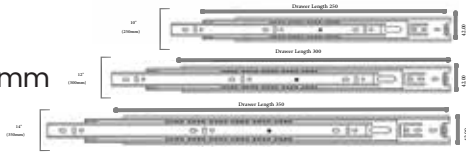
**Color:** Black  
**Material:** Normal Steel  
**Weight:** 42g (+/- 1 gm)  
**Thickness:** 42mm, 0.7\*0.7\*0.8 mm  
**No. of bearing:** 4  
**No. of folds:** 3



# Chrome Drawer Slide



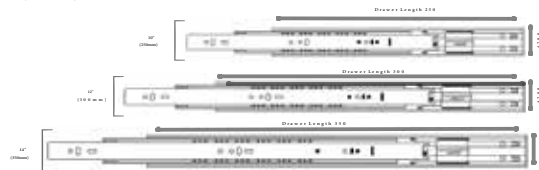
**Color:** Black  
**Material:** Normal Steel  
**Weight:** 42g (+/- 1 gm)  
**Thickness:** 42mm, 0.7\*0.7\*0.8 mm  
**No. of bearing:** 4  
**No. of folds:** 3



# Drawer Slide Soft Close



**Color:** Black  
**Material:** Normal Steel  
**Weight:** 60 g (+/- 1 gm)  
**Thickness:** 45mm, 0.9\*0.9\*0.9 mm  
**No. of bearing:** 3  
**No. of folds:** 3



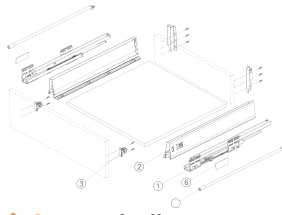
## Packages Information

ITEM	CARTOON SIZE				
	Length	Width	Height	Weight	items/box
10"/ 250mm	280	240	120	8.2	20
12"/300mm	320	240	120	10.1	20
14"/350mm	380	240	120	11.5	20
16"/400mm	430	240	120	13.2	20
18"/450mm	480	240	120	15.0	20
20"/500mm	530	240	120	16.7	20
22"/550mm	580	240	120	18.5	20
24"/600mm	630	240	120	20.3	20

\*Dimensions are represented in mm

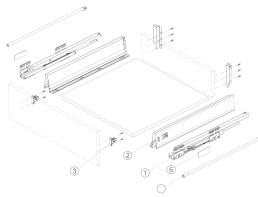
\*Weight is represented in kg

## Tandom Box With Round Tube



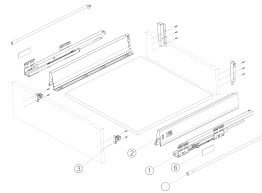
**Material:** Metal Alloy  
**Loading Capacity:** 40 Kg  
**Available Length:** 270/550/500/450/400/350/300/

## Tandom Box With Square Tube



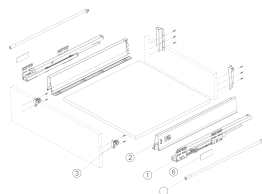
**Material:** Metal Alloy  
**Loading Capacity:** 40 Kg  
**Available Length:** 270/550/500/450/400/350/300/

## Toandom Glass Box



**Material:** Metal Alloy  
**Loading Capacity:** 40 Kg  
**Available Height:** 84/196/166/116/  
**Available Length:** 300/550/500/450/400/350/

## Tandom Slim Box



**Material:** Metal Alloy  
**Loading Capacity:** 40 Kg  
**Available Height:** 84/196/166/116/  
**Available Length:** 300/550/500/450/400/350/



# Plastic Accessories

HS-Code 39263090



## DOLPHINE Handle



**Material:** Plastic  
**Color:** + 10 colors  
**Length:** 12.8 / 16 cm

## TUBE Handle



**Material:** Plastic  
**Color:** + 10 colors  
**Length:** 9.6 / 12.8 / 16 cm



## Bulky Cabinet Leg



**Material:** Plastic  
**Color:** + 20 colors  
**Length:** 8 / 10 cm

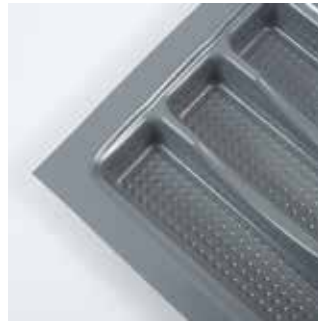
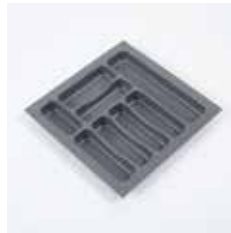
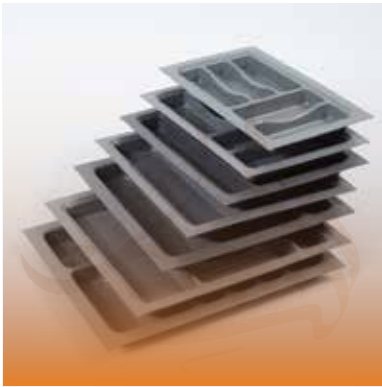
# Slim Cabint Leg



**Material:** Plastic  
**Color:** + 20 colors  
**Length:** 8 / 10 cm

---

# Drawer Organizer



**Material:** Plastic  
**Color:** Dark Gray  
**Length:** 35 / 40 / 45 / 50 / 55 / 60 cm



**Material:** Plastic  
**Color:** + 20 colors



**AL-TAJYR**  
FOR EXPORT & MANUFACTURING

we craft connections that last a lifetime



+20 10 70 511 666



[sales@altajyr.com](mailto:sales@altajyr.com)

